

CAPITOL FOUNDRY OF VA, INC.

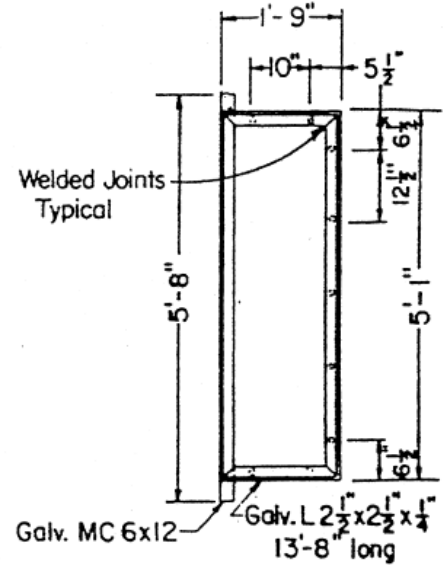
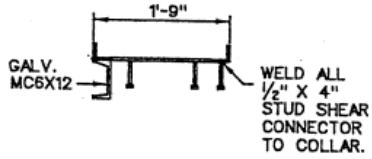
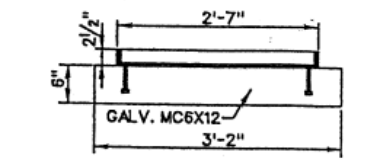
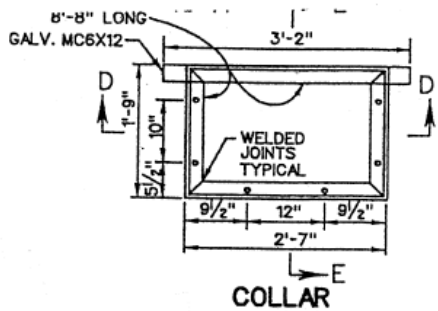
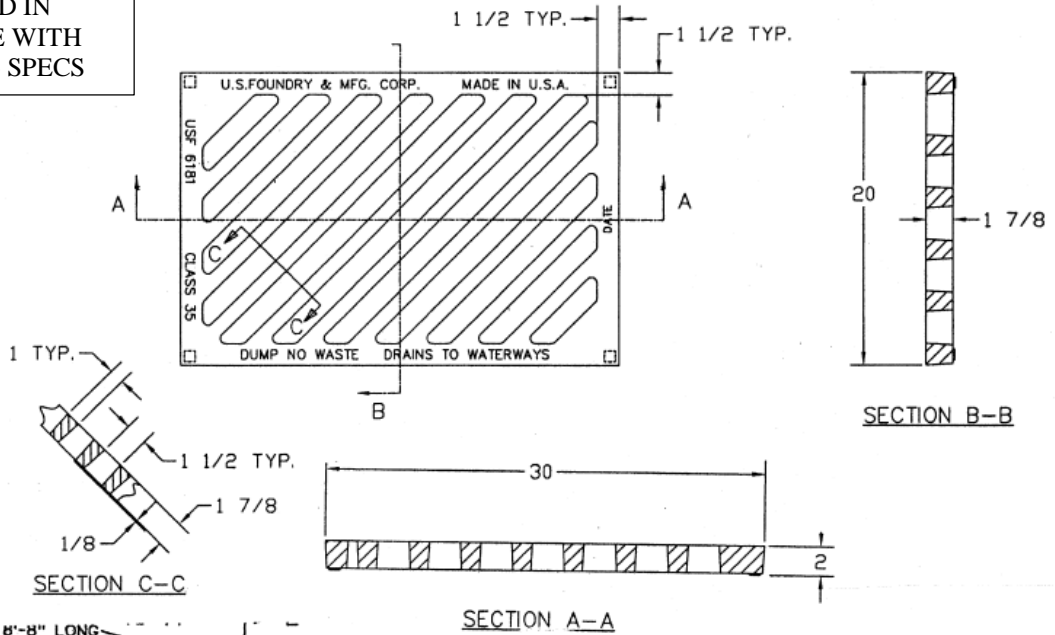
2856 CRUSADER CIRCLE
VIRGINIA BEACH, VA 23453

PHONE: (757) 427-9431

FAX: (757) 427-9308

www.capitolfoundry.net

GRATE TESTED IN
ACCORDANCE WITH
AASHTO M306 SPECS



COLLAR

MADE IN USA

FRAME SPEC: STEEL ASTM A-709 GRADE 36
GALVANIZING SPEC: ASTM A-123

VDOT 20" X 30" GRATE & GALVANIZED STEEL FRAME W/CHANNEL BEAM

MATERIAL SPEC: ASTM A-48 CLASS 35B

ITEM #DI-2*ABC-DOM / DI-2*DEF-DOM