

CAPITOL FOUNDRY OF VA, INC.

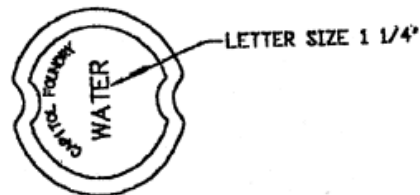
2856 CRUSADER CIRCLE
VIRGINIA BEACH, VA 23453

PHONE: (757) 427-9431

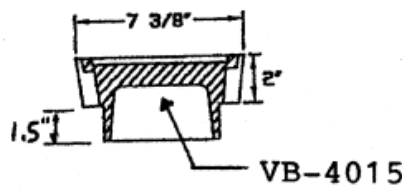
FAX: (757) 427-9308

www.capitolfoundry.net

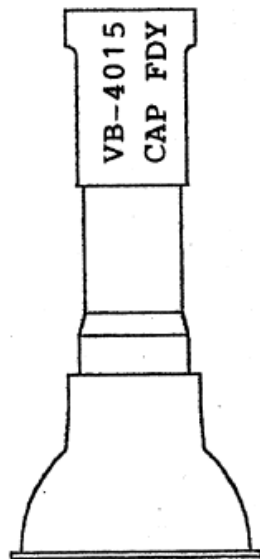
LID AVAILABLE MARKED
'SEWER', 'WATER, OR 'GAS'



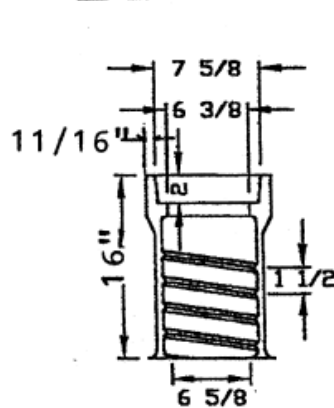
LID TOP VIEW



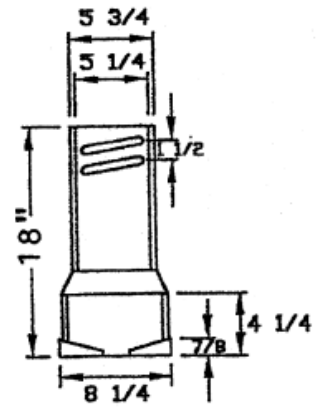
LID SECTION VIEW



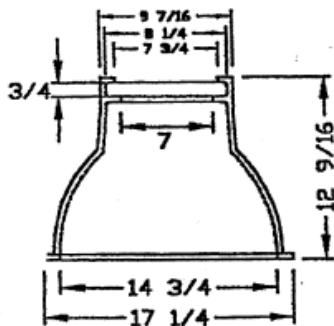
BOX COMPLETE



TOP



BOTTOM



6 BASE

HENRICO COUNTY STANDARD 3 PC SCREW TYPE VALVE BOX

MATERIAL SPEC: ASTM A-48 CLASS 35B

ITEM #VB-4015*