

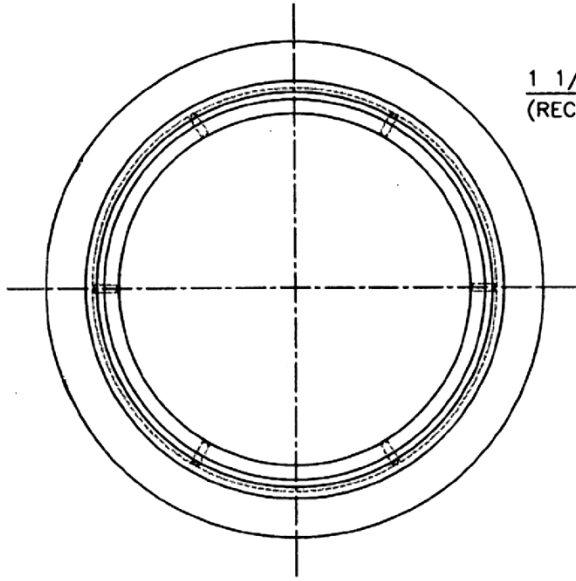
# CAPITOL FOUNDRY OF VA, INC.

2856 CRUSADER CIRCLE  
VIRGINIA BEACH, VA 23453

PHONE: (757) 427-9431

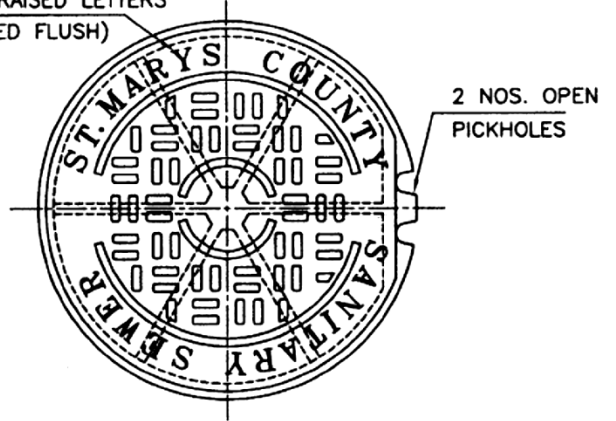
FAX: (757) 427-9308

www.capitolfoundry.net

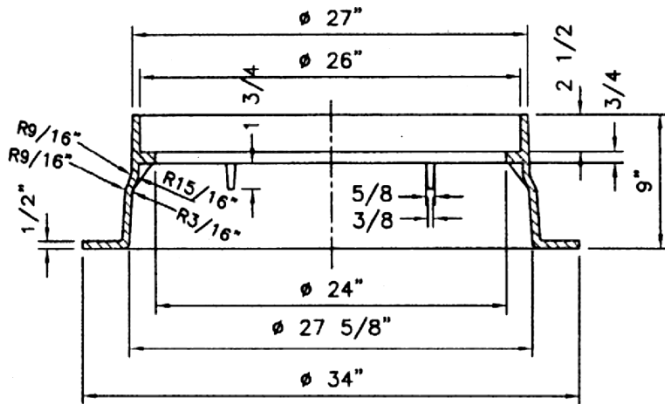


**PLAN**

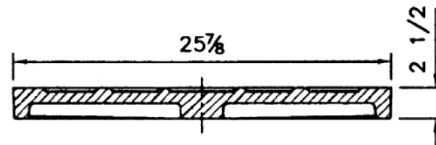
1 1/2" RAISED LETTERS  
(RECESSED FLUSH)



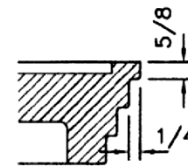
**COVER**



**FRAME SECTION**



**COVER SECTION**



**DETAIL OF PICKHOLE**

ST. MARY'S COUNTY 24" 'SANITARY SEWER' FRAME & COVER

MATERIAL SPEC: ASTM A-48 CLASS 35B

ITEM #MH-1676\*SM-SS