

CAPITOL FOUNDRY OF VA, INC.

2856 CRUSADER CIRCLE
VIRGINIA BEACH, VA 23453

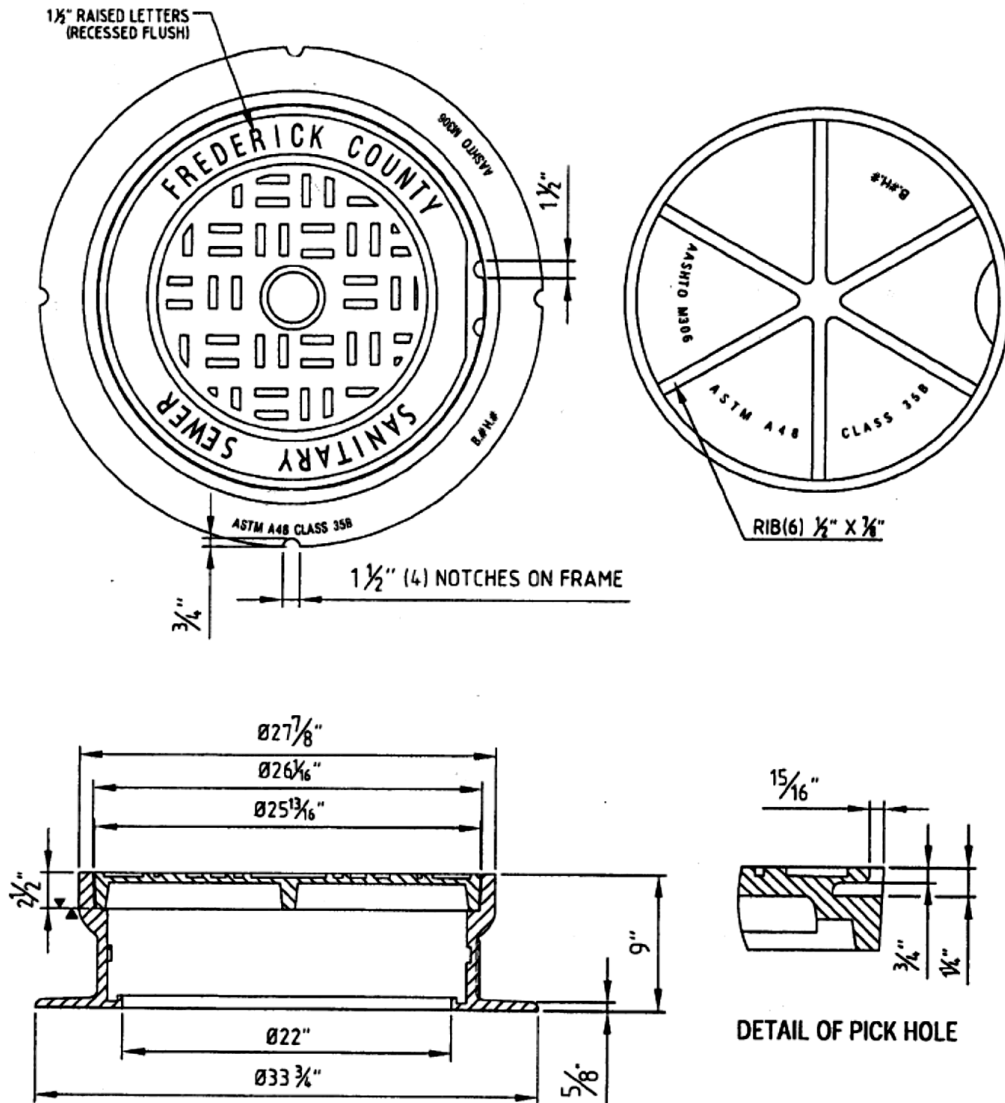
PHONE: (757) 427-9431

FAX: (757) 427-9308

www.capitolfoundry.net

ALSO AVAILABLE
MARKED 'WATER'

FOR WATERTIGHT
APPLICATIONS, ADD:
DUSTPAN, LOCKBAR & GASKET



FREDERICK COUNTY 24" 'SANITARY SEWER' FRAME & COVER

MATERIAL SPEC: ASTM A-48 CLASS 35B

ITEM #MH-1676*FC-SS