

CAPITOL FOUNDRY OF VA, INC.

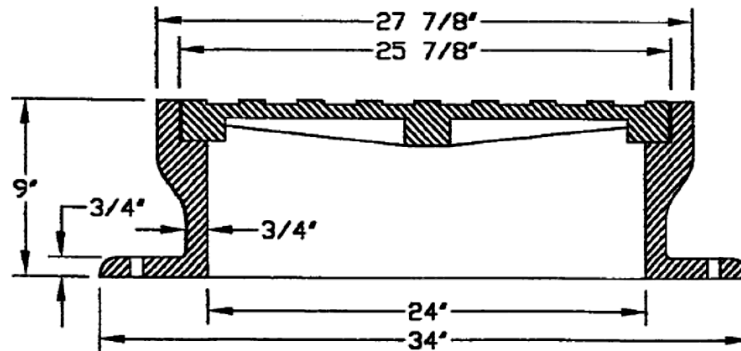
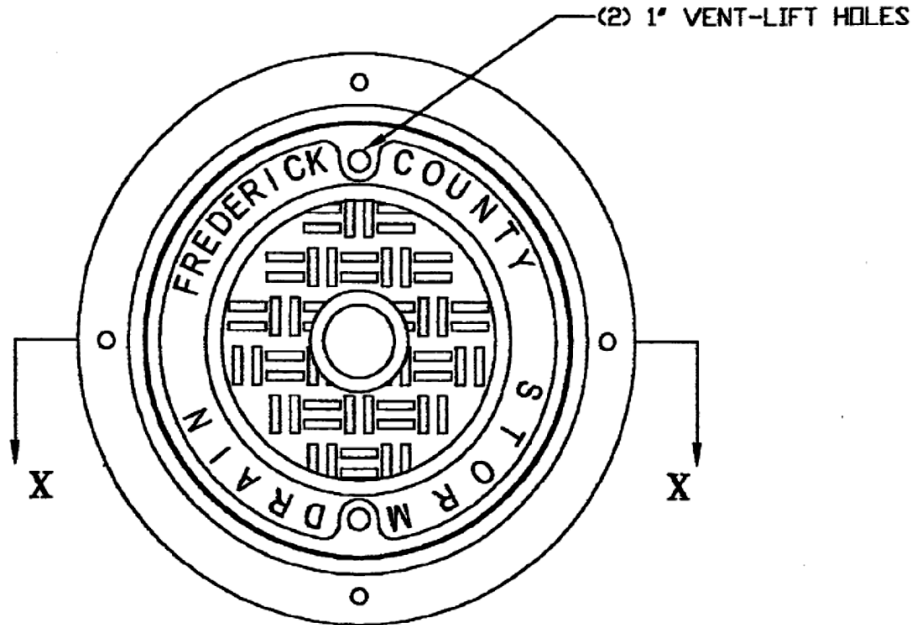
2856 CRUSADER CIRCLE
VIRGINIA BEACH, VA 23453

PHONE: (757) 427-9431

FAX: (757) 427-9308

www.capitolfoundry.net

AVAILABLE IN
4" TALL FRAME



SECTION -XX

FREDERICK COUNTY 24" 'STORM DRAIN' FRAME & COVER

MATERIAL SPEC: ASTM A-48 CLASS 35B

ITEM #MH-1676*FC-SD