

CAPITOL FOUNDRY OF VA, INC.

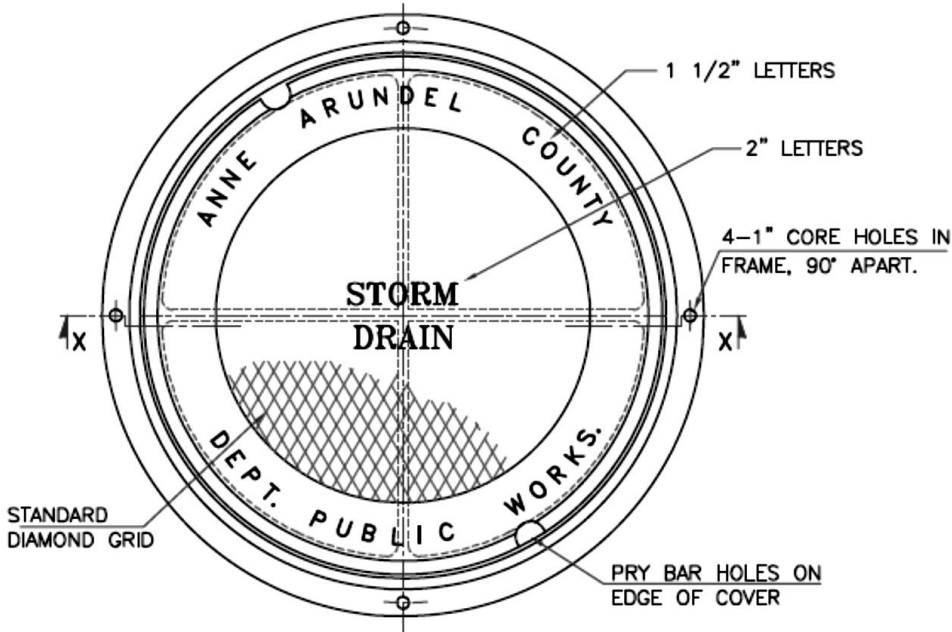
2856 CRUSADER CIRCLE
 VIRGINIA BEACH, VA 23453

PHONE: (757) 427-9431

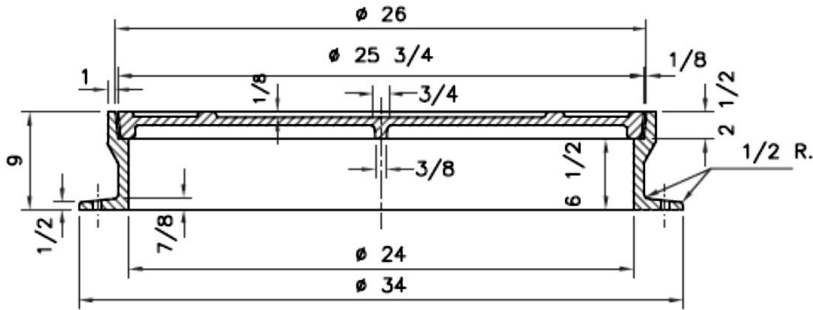
FAX: (757) 427-9308

www.capitolfoundry.net

AVAILABLE IN 4"
 TALL FRAME



PLAN (B-COVER)



SECTION XX

ANNE ARUNDEL COUNTY 'STORM DRAIN' MANHOLE FRAME AND COVER

MATERIAL SPEC: ASTM A-48 CLASS 35B

ITEM #MH-1648*ST