

# CAPITOL FOUNDRY OF VA, INC.

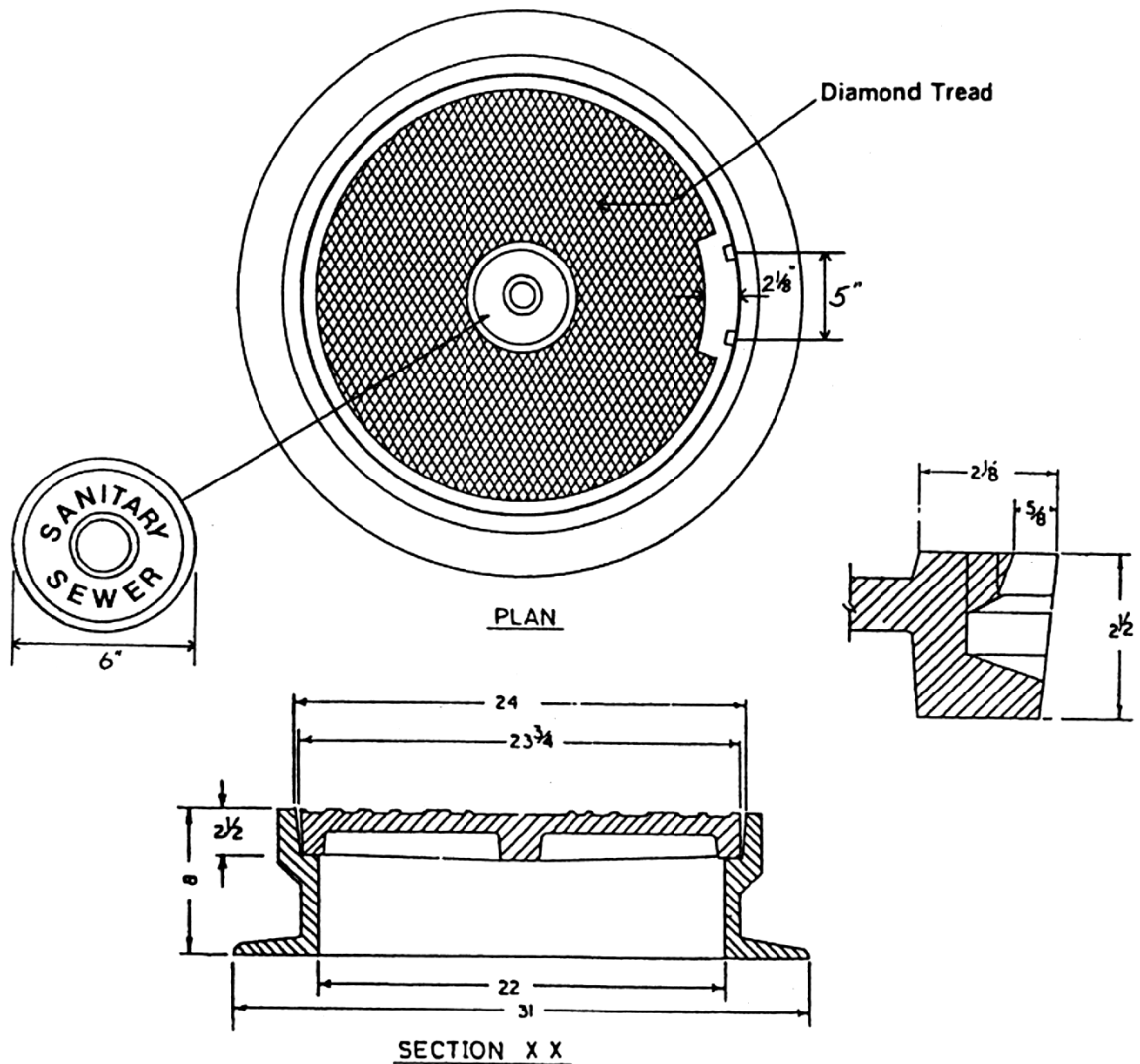
2856 CRUSADER CIRCLE  
VIRGINIA BEACH, VA 23453

PHONE: (757) 427-9431

FAX: (757) 427-9308

www.capitolfoundry.net

AVAILABLE IN 4" TALL



ARLINGTON COUNTY 'SANITARY SEWER' MANHOLE FRAME & COVER

MATERIAL SPEC: ASTM A-48 CLASS 35B

ITEM #MH-1534\*