

# CAPITOL FOUNDRY OF VA, INC.

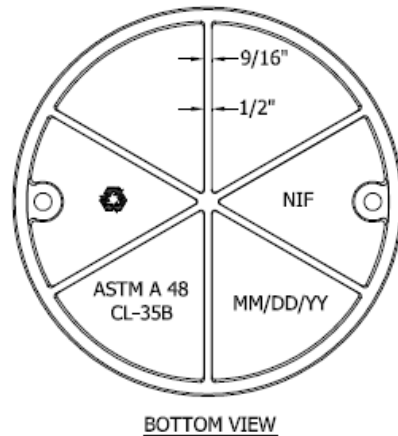
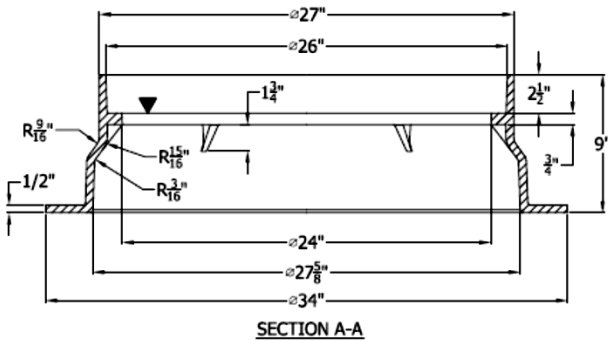
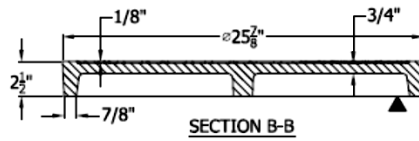
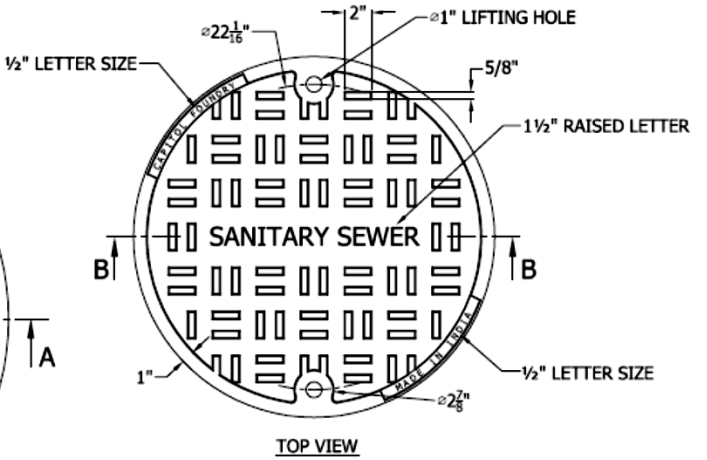
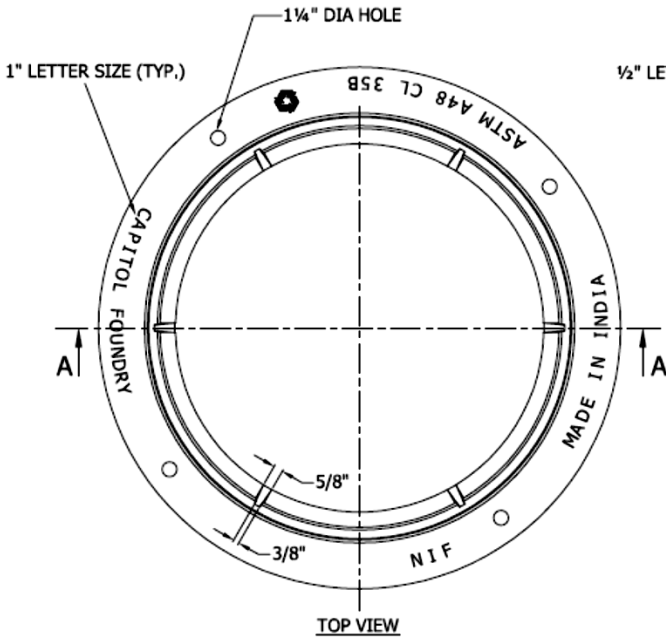
2856 CRUSADER CIRCLE  
VIRGINIA BEACH, VA 23453

PHONE: (757) 427-9431

FAX: (757) 427-9308

www.capitolfoundry.net

ALSO AVAILABLE MARKED  
'STORM DRAIN' OR  
'WATER'



## MARYLAND 24" SANITARY SEWER FRAME & COVER

MATERIAL SPEC: ASTM A-48 CLASS 35B

ITEM #MH-1214\*STR