

CAPITOL FOUNDRY OF VA, INC.

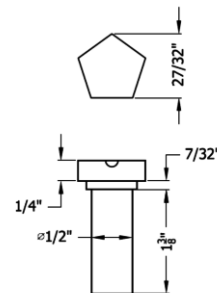
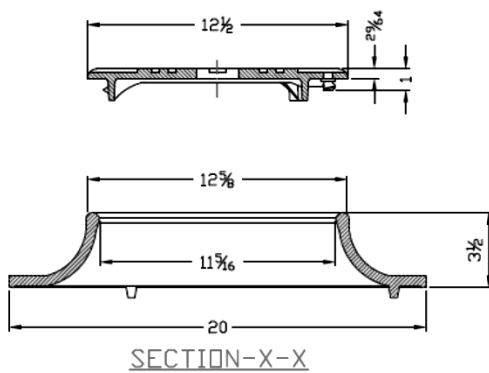
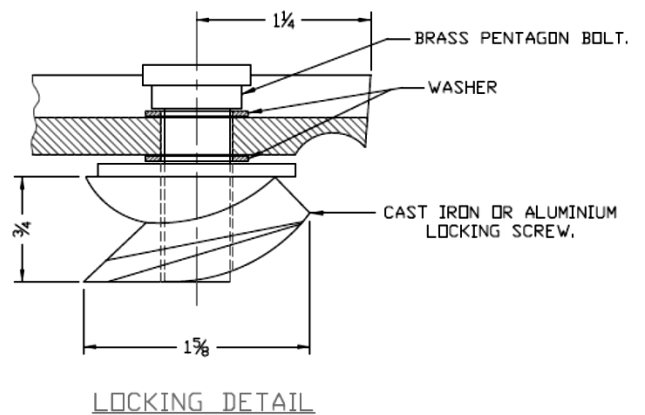
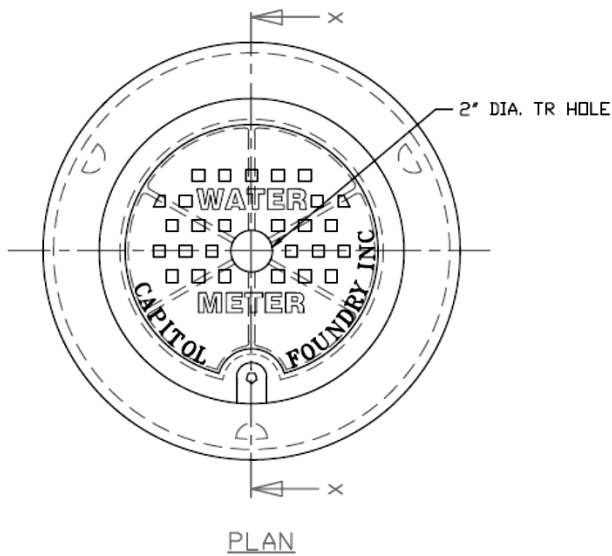
2856 CRUSADER CIRCLE
VIRGINIA BEACH, VA 23453

PHONE: (757) 427-9431

FAX: (757) 427-9308

www.capitolfoundry.net

AVAILABLE WITH SOLID LID
MARKED "WATER METER"
OR "SEWER"



LOCKING 18" METER BOX & LID (TYPE C LID) W/ TOUCH READ HOLE

MATERIAL SPEC: ASTM A-48 CLASS 35B

ITEM #MBX-C32*H