

CAPITOL FOUNDRY OF VA, INC.

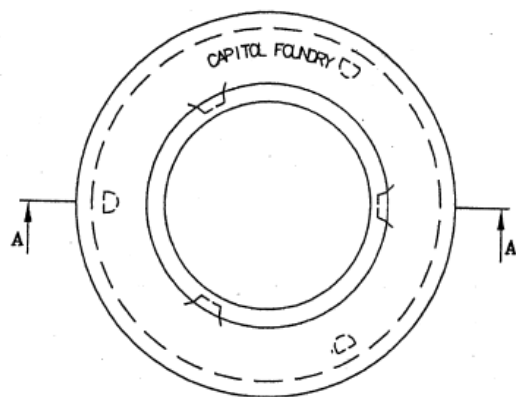
2856 CRUSADER CIRCLE
VIRGINIA BEACH, VA 23453

PHONE: (757) 427-9431

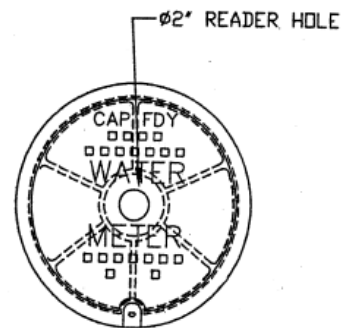
FAX: (757) 427-9308

www.capitolfoundry.net

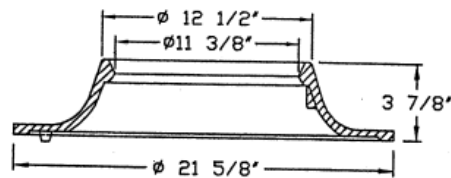
AVAILABLE W/SOLID LID OR
TOUCH READ HOLE LID



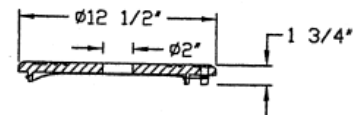
PLAN



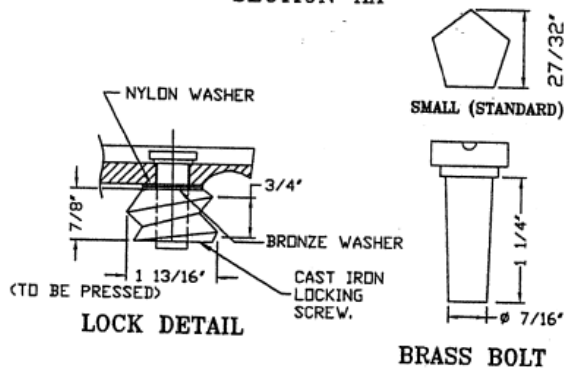
LID



SECTION-AA



LID SECTION



LOCK DETAIL

BRASS BOLT

LOCKING METER BOX & LID W/ENLARGED 22" DIA. FLANGE (TYPE C LID)

MATERIAL SPEC: ASTM A-48 CLASS 35B

ITEM #MBX-3141*