

CAPITOL FOUNDRY OF VA, INC.

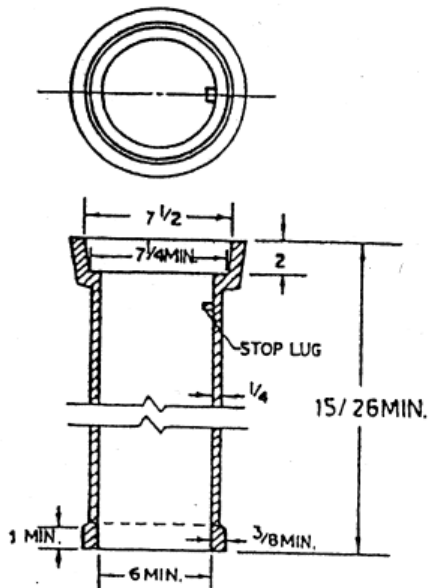
2856 CRUSADER CIRCLE
 VIRGINIA BEACH, VA 23453

PHONE: (757) 427-9431

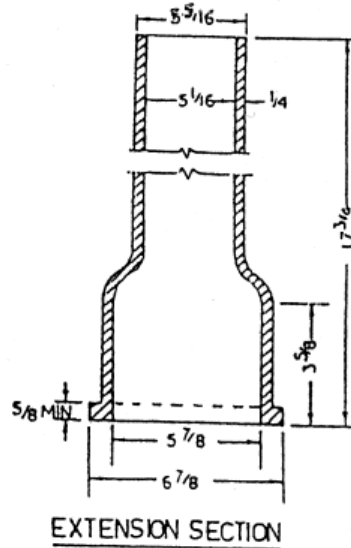
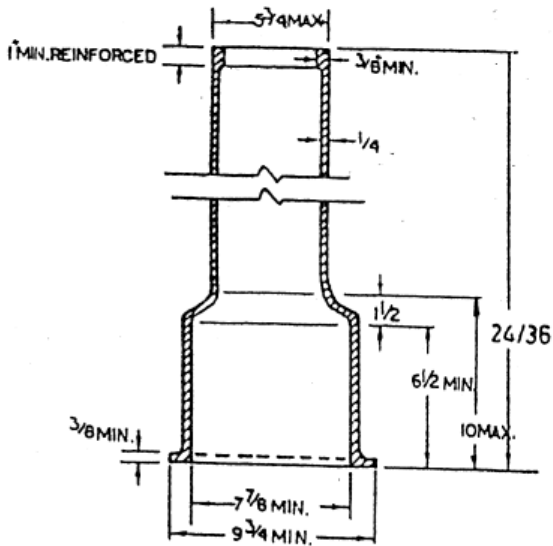
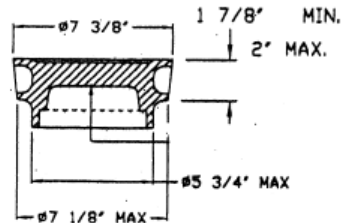
FAX: (757) 427-9308

www.capitolfoundry.net

LID AVAILABLE MARKED
 'FAIRFAX-WATER', 'WATER'
 OR 'SEWER'



HVY. LID



NORTHERN VIRGINIA STANDARD SLIDE TYPE VALVE BOX & LID

MATERIAL SPEC: ASTM A-48 CLASS 35B

ITEM #664A*MWW