

CAPITOL FOUNDRY OF VA, INC.

2856 CRUSADER CIRCLE
VIRGINIA BEACH, VA 23453

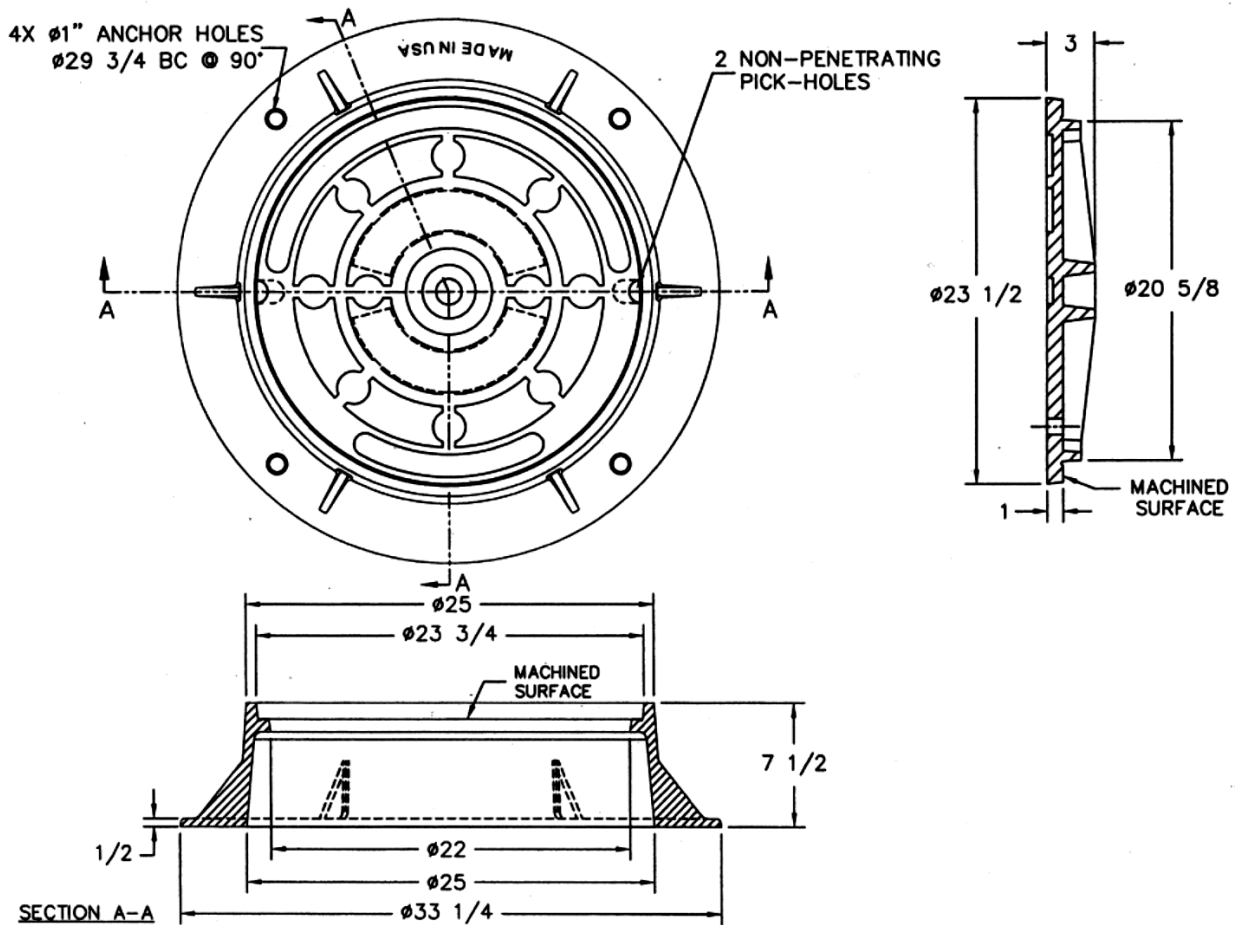
PHONE: (757) 427-9431

FAX: (757) 427-9308

www.capitolfoundry.net

AVAILABLE WITH (1), (2)
OR (4) VENT HOLES

AVAILABLE MARKED 'SANITARY
SEWER', 'STORM SEWER',
'WATER' OR 'GREASE TRAP'



MADE IN USA

DOMESTIC 2001 SERIES MANHOLE FRAME & COVER (US GOV'T FIG 1 & 8 SIZE 22)

MATERIAL SPEC: ASTM A-48 CLASS 35B

ITEM #2001-SS*DOM