

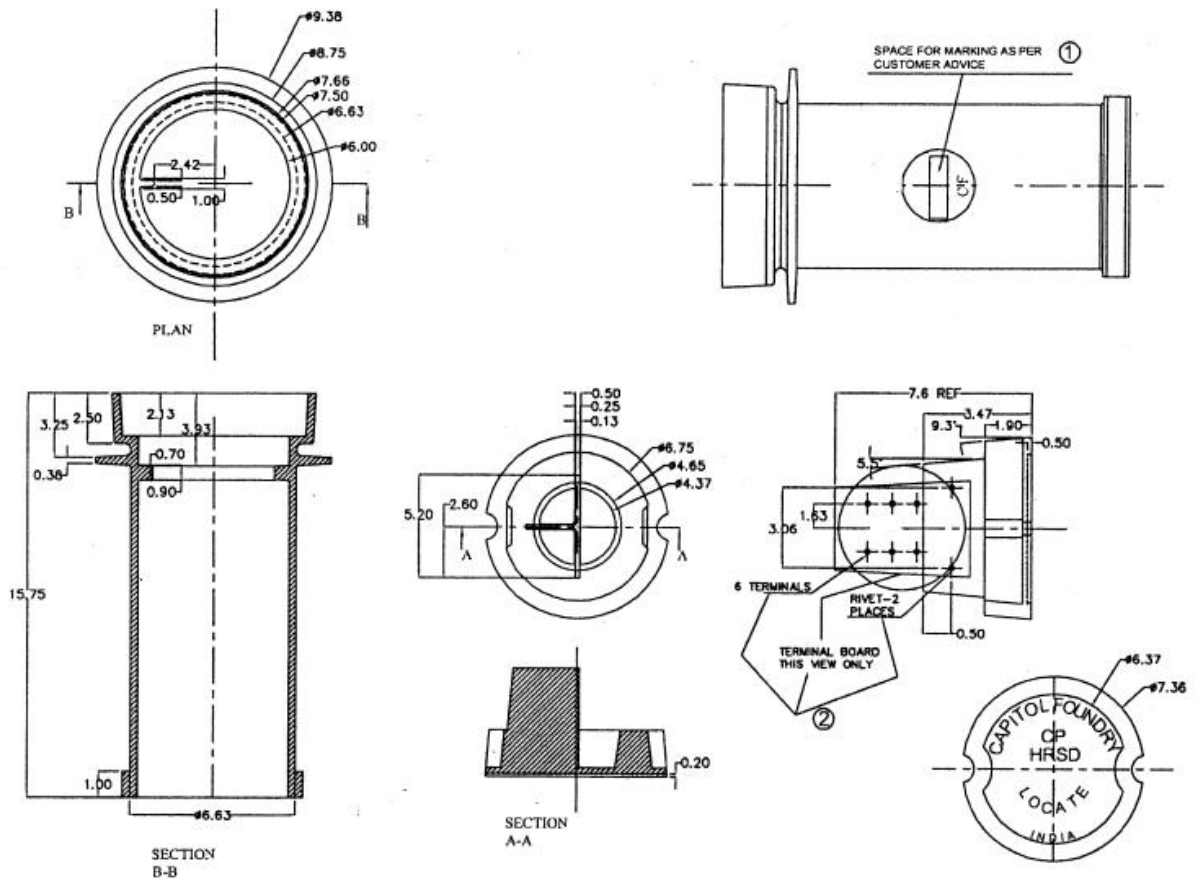
CAPITOL FOUNDRY OF VA, INC.

2856 CRUSADER CIRCLE
VIRGINIA BEACH, VA 23453

PHONE: (757) 427-9431

FAX: (757) 427-9308

www.capitolfoundry.net



HRSD TRACER WIRE TEST STATION BOX & LID

MATERIAL SPEC: ASTM A-48 CLASS 35B

ITEM #VB-4104*