

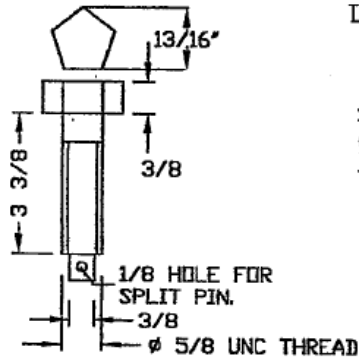
CAPITOL FOUNDRY OF VA, INC.

2856 CRUSADER CIRCLE
 VIRGINIA BEACH, VA 23453

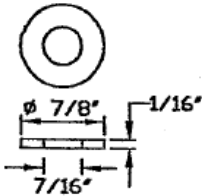
PHONE: (757) 427-9431

FAX: (757) 427-9308

www.capitolfoundry.net

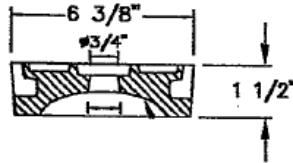


BRASS BOLT



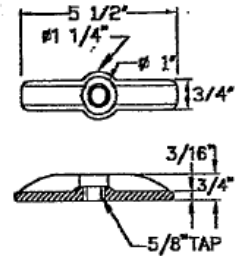
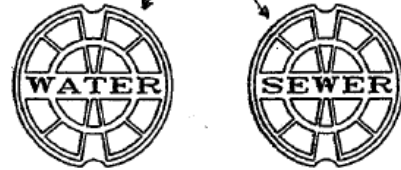
S.S. WASHER

LOCKING LID

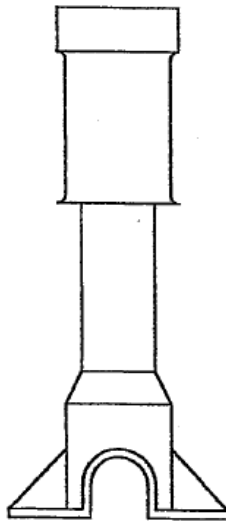


LID SECTION-XX

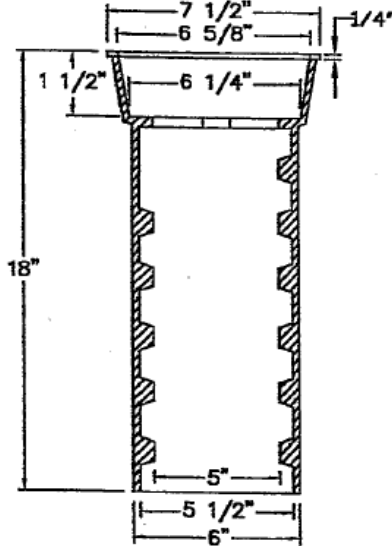
NON-LOCKING LIDS



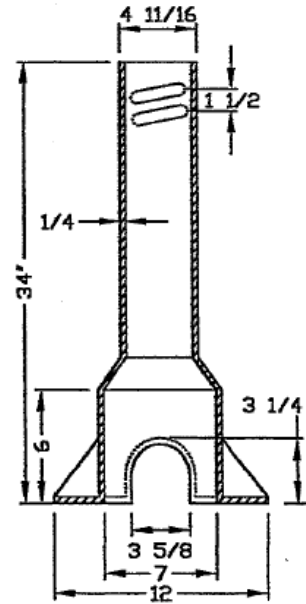
C.I. LOCKING GLAND



BOX COMPLETE



TOP



BOTTOM

SCREW TYPE 4 1/4 IN ROADWAY BOX

MATERIAL SPEC: ASTM A-48 CLASS 35B

ITEM #VB-143R*