

# CAPITOL FOUNDRY OF VA, INC.

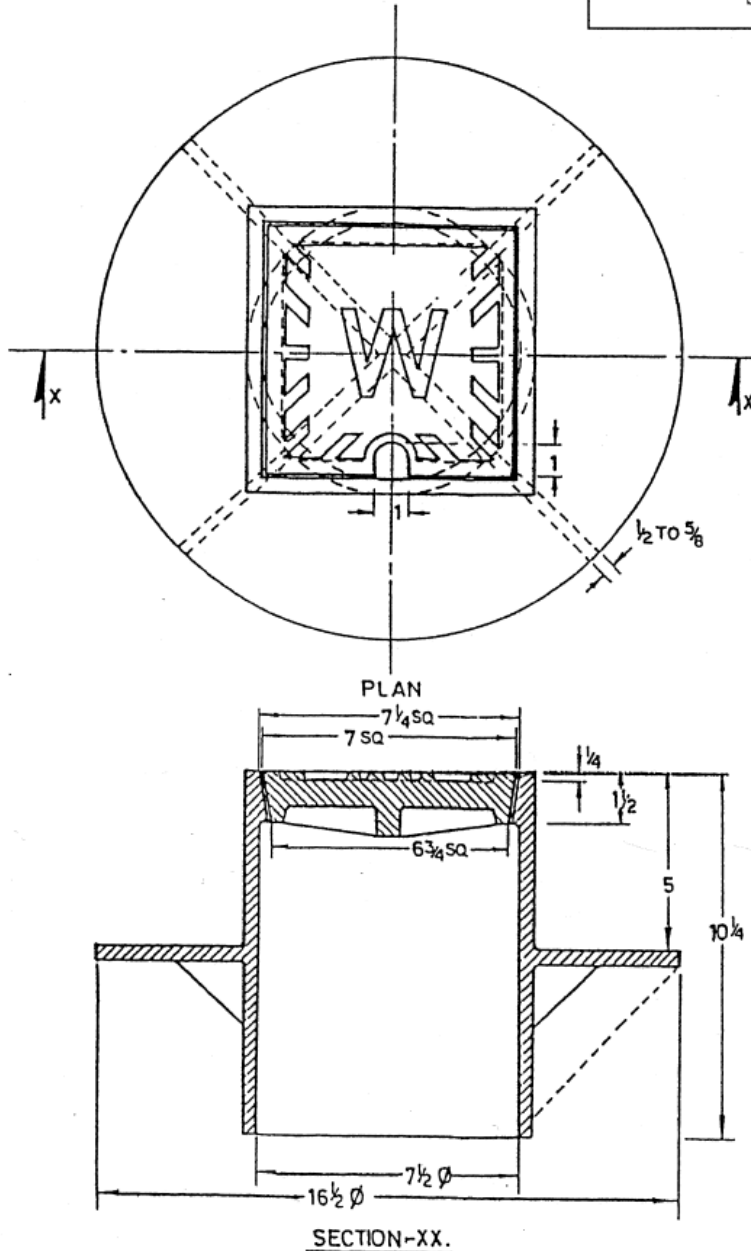
2856 CRUSADER CIRCLE  
VIRGINIA BEACH, VA 23453

PHONE: (757) 427-9431

FAX: (757) 427-9308

www.capitolfoundry.net

LID AVAILABLE MARKED  
'S' OR 'W'



CITY OF NORFOLK SMALL 6" VALVE BOX & LID

MATERIAL SPEC: ASTM A-48 CLASS 35B

ITEM #CS-5A\*