

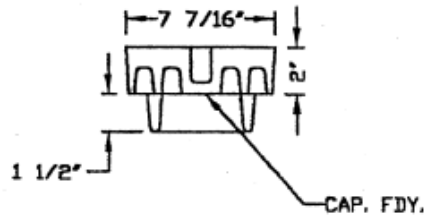
CAPITOL FOUNDRY OF VA, INC.

2856 CRUSADER CIRCLE
VIRGINIA BEACH, VA 23453

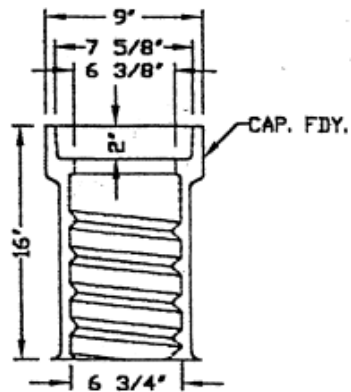
PHONE: (757) 427-9431

FAX: (757) 427-9308

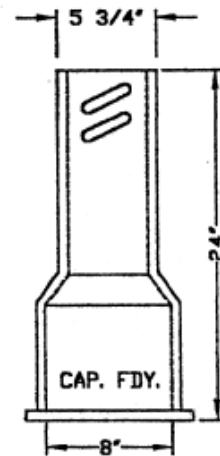
www.capitolfoundry.net



DROP LID



TOP SECTION



BOTTOM SECTION

CITY OF STAUNTON VALVE BOX & LID

MATERIAL SPEC: ASTM A-48 CLASS 35B

ITEM #562S*ST